

# Dell Dimension<sup>®</sup> XPS H233 and XPS H266 Systems Replacing the Microprocessor

**T**his document provides instructions for replacing a microprocessor on the Dell Dimension XPS H233 and XPS H266 systems. A single-edge contact (SEC) cartridge contains the system's microprocessor and cache circuitry. The SEC cartridge and heat sink are replaced as a single assembly.

## Safety Considerations

It is important that you take the following precautions when servicing a system board.

### WARNING FOR YOUR PERSONAL SAFETY AND PROTECTION OF THE EQUIPMENT

Perform the following steps in the sequence listed before you start working on the computer:

1. Turn off the computer and any attached peripherals.
2. Disconnect the computer and any attached peripherals from their power sources to reduce the potential for personal injury or shock. Also disconnect any telephone or telecommunication lines from the computer.
3. Wear a wrist grounding strap and clip it to an unpainted metal surface on the computer.

If a wrist grounding strap is not available, touch an unpainted metal surface on the back of the computer periodically to discharge any static charge from your body.

## Replacing the SEC Cartridge and Heat Sink Assembly

Follow these steps to remove the SEC cartridge and heat sink assembly:

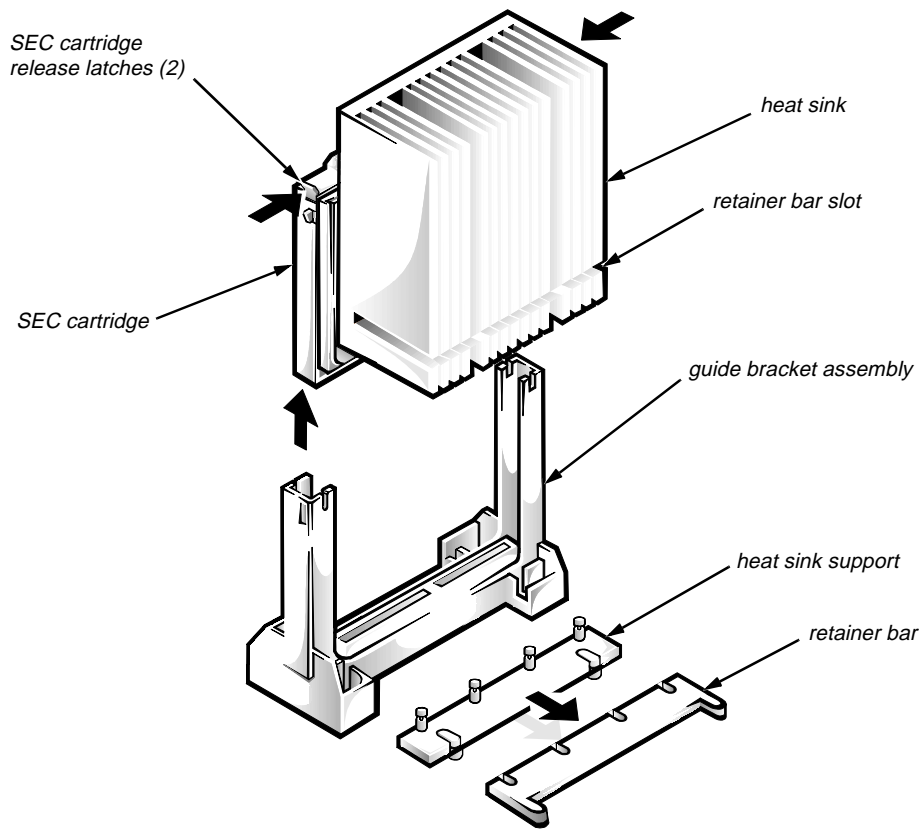
1. Remove the computer cover and any internal components that restrict access to the microprocessor (see Chapter 4, "Removing and Replacing Parts," of the system *Service Manual*.)
2. Before you remove the old SEC cartridge and heat sink assembly, visually compare the new assembly to the old assembly to make sure you have the correct parts.

**WARNING:** The SEC cartridge and heat sink can get extremely hot during system operation. Be sure the assembly has had sufficient time to cool before you touch it.

When handling the SEC cartridge and heat sink assembly, take care to avoid sharp edges on the heat sink.

3. Slide the retainer bar toward the front of the computer to remove it, being careful not to damage the SIMMs next to the heat sink support (see the illustration on the following page).
4. Press the SEC cartridge release latches inward until they snap into position.
5. Grasp the SEC cartridge firmly, and pull straight up on the cartridge to remove it from the guide bracket assembly.

Up to 15 pounds of force is required to disengage the SEC cartridge from the connector.



**Figure. SEC Cartridge and Heat Sink Removal**

To install the replacement SEC cartridge and heat sink assembly, gently pull out the cartridge release latches until they snap into place. Then slide the SEC cartridge into the guide bracket assembly, with the heat sink toward the front of the computer, and firmly seat the assembly. Up to 25 pounds of force is required to seat the SEC cartridge. Slide the retainer bar back into position on the heat sink support. If the retainer bar will not go into the slot on the heat sink, the SEC cartridge is not seated properly or the fins on the heat sink are bent.

## Checking System Functions

To make sure the system functions properly after the installation, run the diskette-based diagnostics as described in your *Diagnostics and Troubleshooting Guide*.

© 1997 Dell Computer Corporation. All rights reserved. Printed in the U.S.A.  
 Information in this document is subject to change without notice.

Trademarks used in this text: *Dell*, the *DELL* logo, and *Dell Dimension* are registered trademarks of Dell Computer Corporation. Other trademarks and trade names may be used in this document to refer to either the entities claiming the marks and names or their products. Dell Computer Corporation disclaims any proprietary interest in trademarks and trade names other than its own.