



Dell™ PowerEdge™ 1550 and PowerApp™ 120 Systems Information Update

This document updates important information in your Dell PowerEdge 1550 and PowerApp 120 systems *Installation and Troubleshooting Guide*.

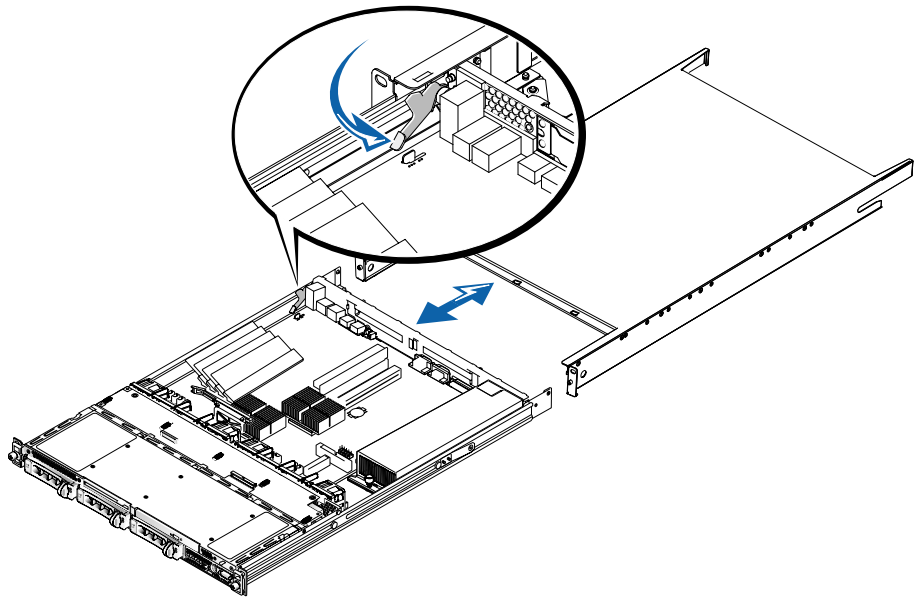
Removing the Top Cover From the System Chassis

To remove the top cover from the chassis or to remove the chassis from the top cover when mounted in a rack, press the safety latch lever (shown in the figure), and then slowly pull the chassis out to release the latch. Once the latch has cleared the notch in the top cover, continue to pull the chassis out slowly until the spring tabs on the outside of the chassis rails lock into the cover. If it is necessary to remove the chassis completely, press the spring tabs and pull the chassis out of the rack.



CAUTION: Never attempt to install or remove the system chassis from the rack by yourself.





Information in this document is subject to change without notice.

© 2000 Dell Computer Corporation. All rights reserved. Printed in the U.S.A.

Trademarks used in this text: *Dell*, the *DELL* logo, *PowerEdge*, and *PowerApp* are trademarks of Dell Computer Corporation. Other trademarks and trade names may be used in this document to refer to either the entities claiming the marks and names or their products. Dell Computer Corporation disclaims any proprietary interest in trademarks and trade names other than its own.